

Product data sheet

Specifications

SQUARE D



Surge protection device, HEPD, 80kA, 120/240V, 1 phase, 3 wire, SPD type 1

HEPD80

Product availability : Stock - Normally stocked in distribution facility

Price* : 185.00 USD

Main

Product	Surge protection device
Range	Square D
Device Short Name	HEPD
Surge Arrester Type	Electrical distribution network

Complementary

Voltage Rating	120/240 V AC
MCOV	150 V
SCCR	25 kA
Surge Current	80 kA per phase
Voltage Protection Rating	600 V L-N 600 V L - G 1000 V L - L 900 V N - G
Nominal Discharge Current	10 kA
Rated Current	10 kA
Number of Phases	1 phase
Wiring Configuration	3-wire (isolated ground)
Connection	Wire AWG 14
Local Signalling	1 LED green normal operation 1 LED green off
Product destination	Load center
Cable length	34 in (863.60 mm)
Height	3.23 in (82.04 mm)
Width	3.72 in (94.49 mm)
Depth	2.10 in (53.34 mm)

Environment

Ambient Operating	-40...149 °F (-40...65 °C)
Enclosure Rating	NEMA 4X
Enclosure Material	non-metallic

* Price is "List Price" and may be subject to a trade discount – check with your local distributor or retailer for actual price.

Standards	UL 1449 CUL UL 1449:ed. 4: type I
------------------	---

Ordering and shipping details

Category	08461-SURGE PROTECTION RESI
Discount Schedule	DE1B
GTIN	785901008729
Returnability	Yes
Country of origin	US

Packing Units

Unit Type of Package 1	PCE
Number of Units in Package 1	1
Package 1 Height	3.50 in (8.89 cm)
Package 1 Width	6.00 in (15.24 cm)
Package 1 Length	8.00 in (20.32 cm)
Package 1 Weight	22.88 oz (648.65 g)
Unit Type of Package 2	CAR
Number of Units in Package 2	3
Package 2 Height	8.70 in (22.098 cm)
Package 2 Width	11.00 in (27.94 cm)
Package 2 Length	6.70 in (17.018 cm)
Package 2 Weight	5.45 lb(US) (2.472 kg)

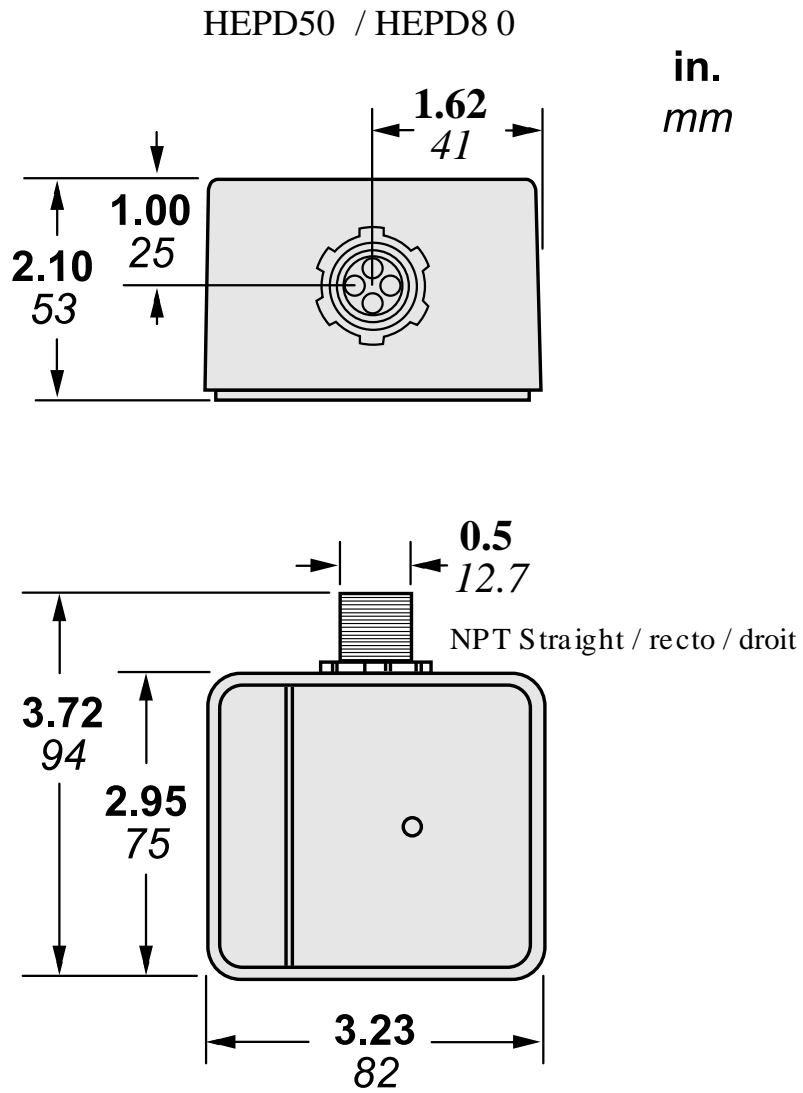
Offer Sustainability

California proposition 65	WARNING: This product can expose you to chemicals including: Lead and lead compounds, which is known to the State of California to cause cancer and birth defects or other reproductive harm. For more information go to www.P65Warnings.ca.gov
REACH Regulation	REACH Declaration
EU RoHS Directive	Compliant EU RoHS Declaration
Mercury free	Yes
China RoHS Regulation	China RoHS declaration Product out of China RoHS scope. Substance declaration for your information.
RoHS exemption information	Yes

Contractual warranty

Warranty	18 months
-----------------	-----------

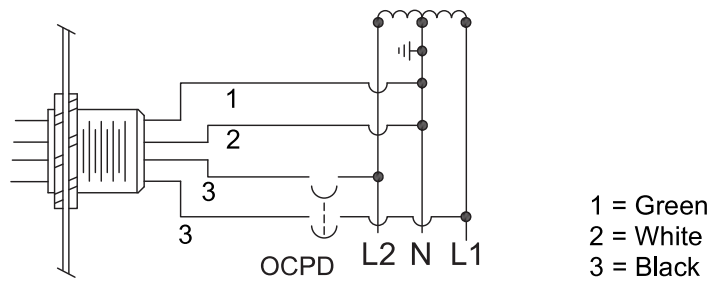
Dimensions



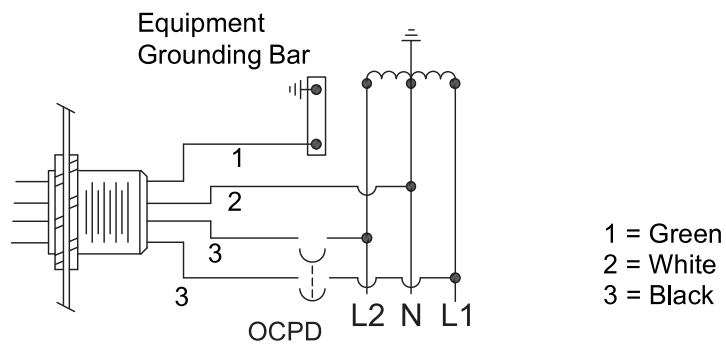
Wiring Diagram

Typical AC Surge Module Wiring Connection Diagrams

Refer to document number NVE82551 for installation instructions.



Service Entrance without Grounding Bar
120/240 V 1Ø, 3-Wire Circuit
OCPD = Over Current Protection Device



Sub Panel or Service Entrance with Grounding Bar
120/240 V 1Ø, 3-Wire Circuit
OCPD = Over Current Protection Device

Recommended replacement(s)